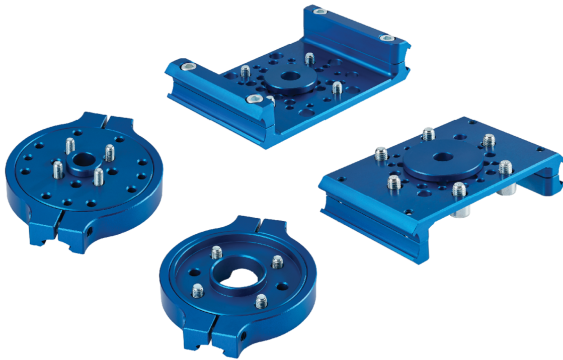
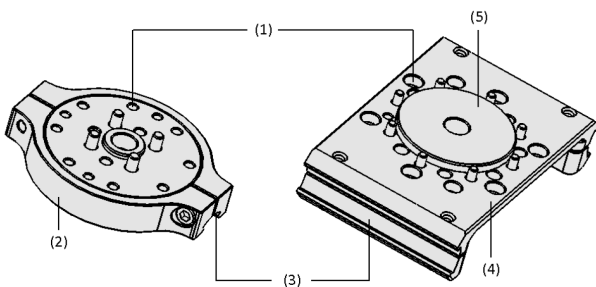


Flange Sets PXT

Flanges for connecting the gripper to the robot



Flange Sets PXT



System design Flange Sets PXT



Modular gripper system PXT handling a glass pane

Suitability for industry specific applications

Application

- Flange sets for easy connection of gripping systems to lightweight robots
- Wide range of applications for automated workpiece handling
- Suitable for a wide range of different robot types
- Double beam flange can be used on both sides for minimum overall heights

Design

- Suitable flange pattern (1) for common lightweight robots
- Flange ring for the connection of a single beam (2)
- Clamping (3) for easy mounting
- Flange for connecting double beams (4)
- Robot specific centering disk (5) as mounting aid

Product highlights

- Simple clamping enables fast assembly
- Low profile flange ensures low interference contour
- Flange patterns suitable for common lightweight robots
- Different flange inserts allow quick change between different robot types

Flange Sets PXT

Flanges for connecting the gripper to the robot

Ordering data Flange Sets PXT

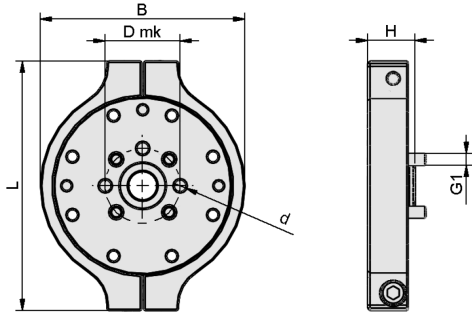
Type	Part no.
SET PXT 31.5 9409-1 1LT FANUC	10.01.49.00012
SET PXT 64 1LT FANUC	10.01.49.00013
SET PXT 50 9409-1 1LT UR	10.01.49.00014
SET PXT 63 9409-1 1LT YASKAWA	10.01.49.00015
SET PXT 1LT UNI	10.01.49.00016

Type	Part no.
SET PXT 31.5 9409-1 2LT FANUC	10.01.49.00024
SET PXT 40 9409-1 2LT RETHINK	10.01.49.00025
SET PXT 50 9409-1 2LT UR	10.01.49.00026
SET PXT 63 9409-1 2LT YASKAWA	10.01.49.00027
SET PXT 64 2LT FANUC	10.01.49.00028
SET PXT 80 9409-1 2LT YASKAWA	10.01.49.00029

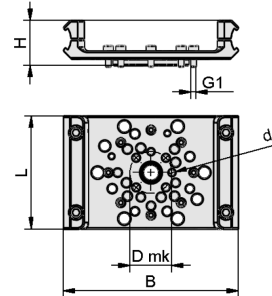
Flange Sets PXT

Flanges for connecting the gripper to the robot

Design data Flange Sets PXT



10.01.49.00012...00016 SET PXT



10.01.49.00024...00029 SET PXT

Flange Sets PXT

Flanges for connecting the gripper to the robot

Design data Flange Sets PXT

Type	B [mm]	d [mm]	Dmk [mm]	G1	H [mm]	L [mm]
SET PXT 31.5 9409-1 1LT FANUC	86	5.1	31.5	M5-M	20.0	105
SET PXT 64 1LT FANUC	86	4.1	64.0	M4-M	22.0	105
SET PXT 50 9409-1 1LT UR	86	6.1	50.0	M6-M	17.0	105
SET PXT 63 9409-1 1LT YASKAWA	86	6.1	63.0	M6-M	22.5	105
SET PXT 1LT UNI	86	-	-	-	17.5	105

Type	B [mm]	d [mm]	Dmk [mm]	G1	H [mm]	L [mm]
SET PXT 31.5 9409-1 2LT FANUC	131	5	31.5	M5-M	29	85
SET PXT 40 9409-1 2LT RETHINK	131	6	40.0	M6-M	29	85
SET PXT 50 9409-1 2LT UR	131	6	50.0	M6-M	29	85
SET PXT 63 9409-1 2LT YASKAWA	131	6	63.0	M6-M	29	85
SET PXT 64 2LT FANUC	131	4	64.0	M4-M	34	85
SET PXT 80 9409-1 2LT YASKAWA	131	8	80.0	M8-M	34	85

Multimedia product presentation

Medium	Link
Product video	https://vimeo.com/547933703